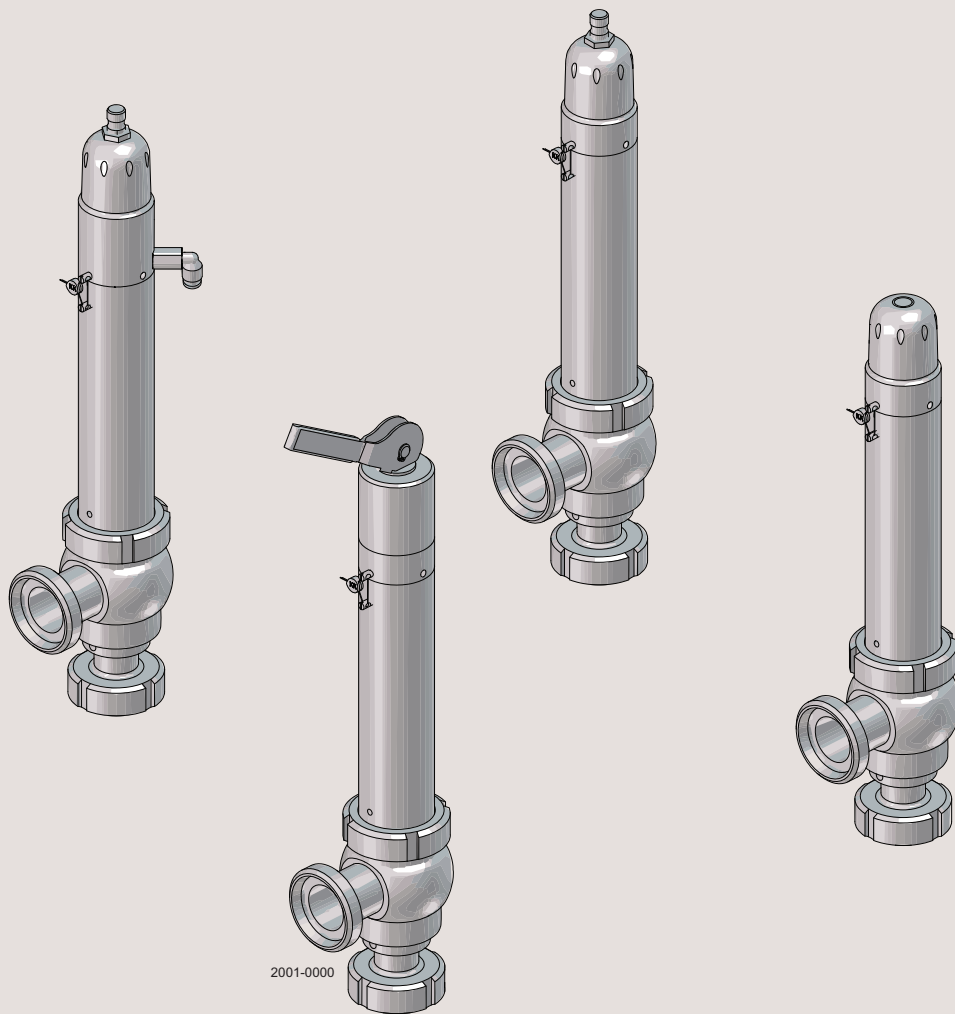




## Spare Parts

### Alfa Laval Safety Valve



2001-0000

ESE03137-EN2 2018-11

Original manual



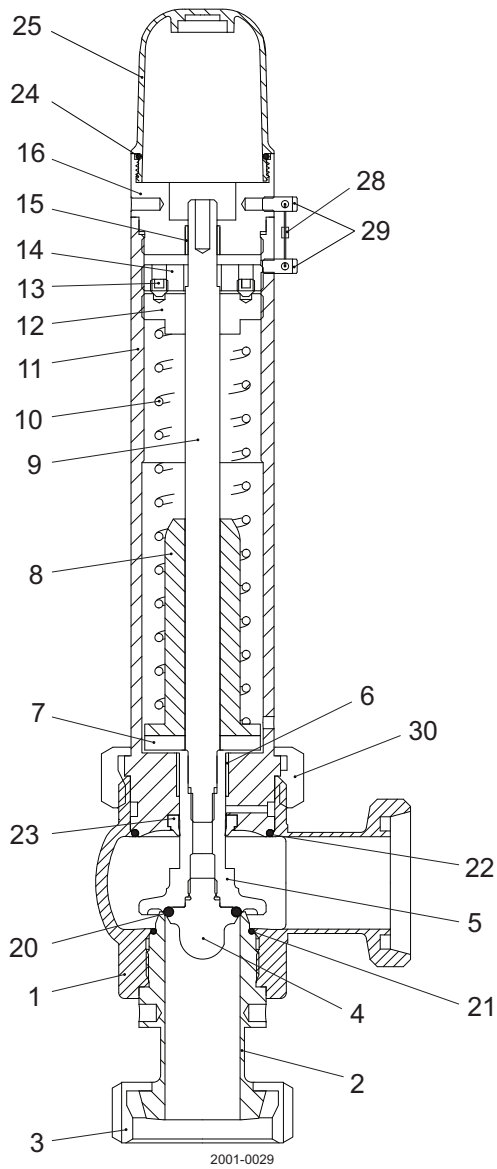
## Table of contents

---

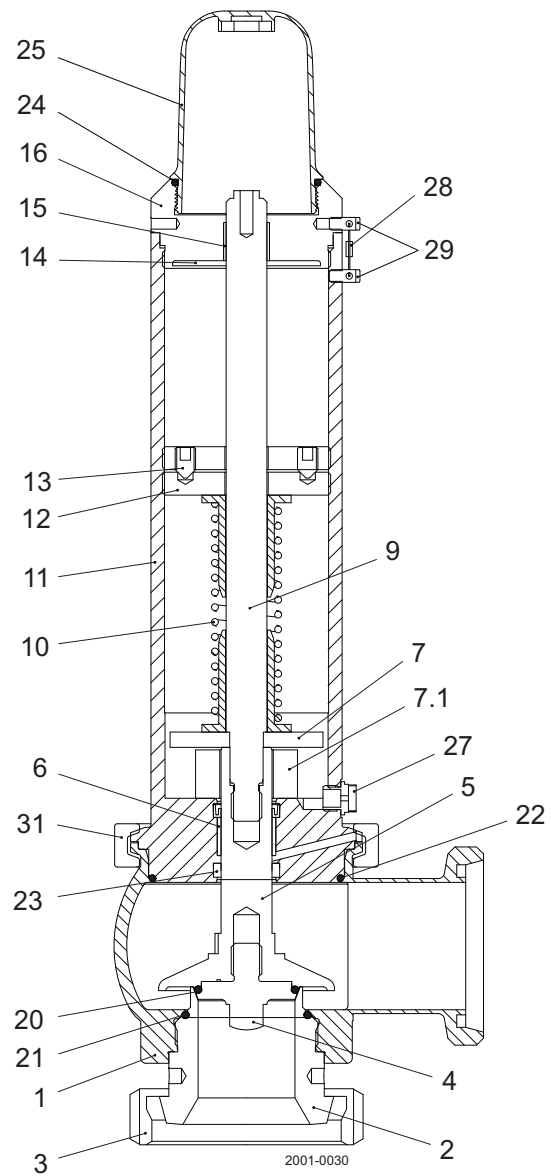
*The information herein is correct at the time of issue but may be subject to change without prior notice*

1. Standard, sizes DN25-DN100 .....	4
2. Standard with inductive sensor, sizes DN25-DN100 .....	6
3. Pneumatic lifting with inductive sensor, sizes DN25-DN100 .....	8
4. Manual lifting, sizes DN25-DN100 .....	10

DN25



DN40-DN100



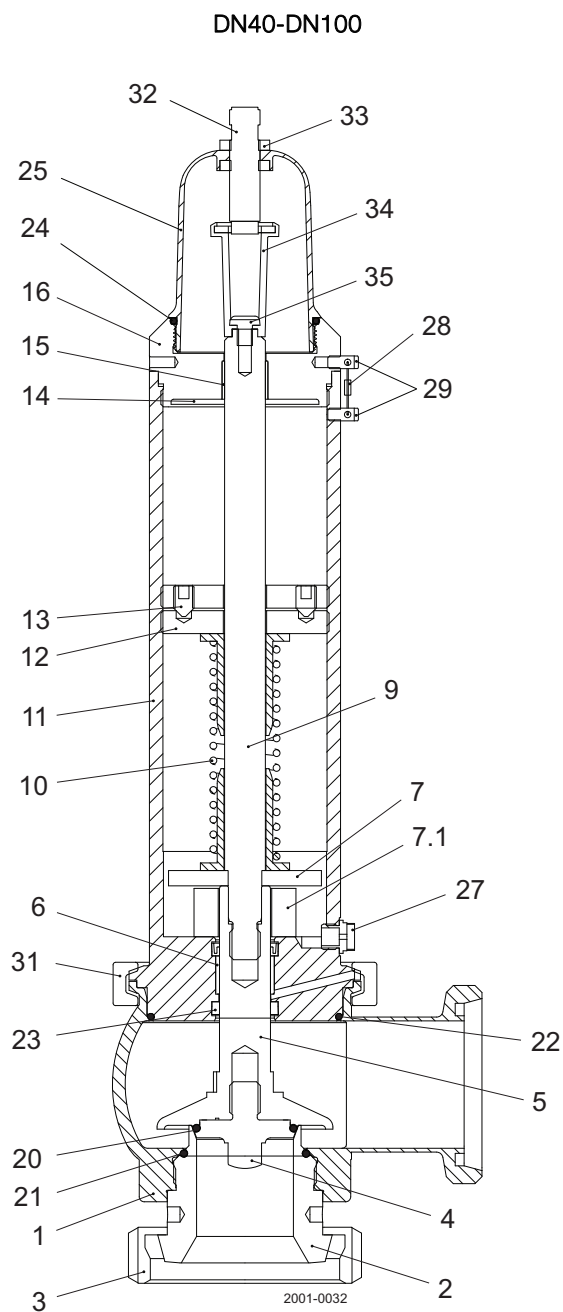
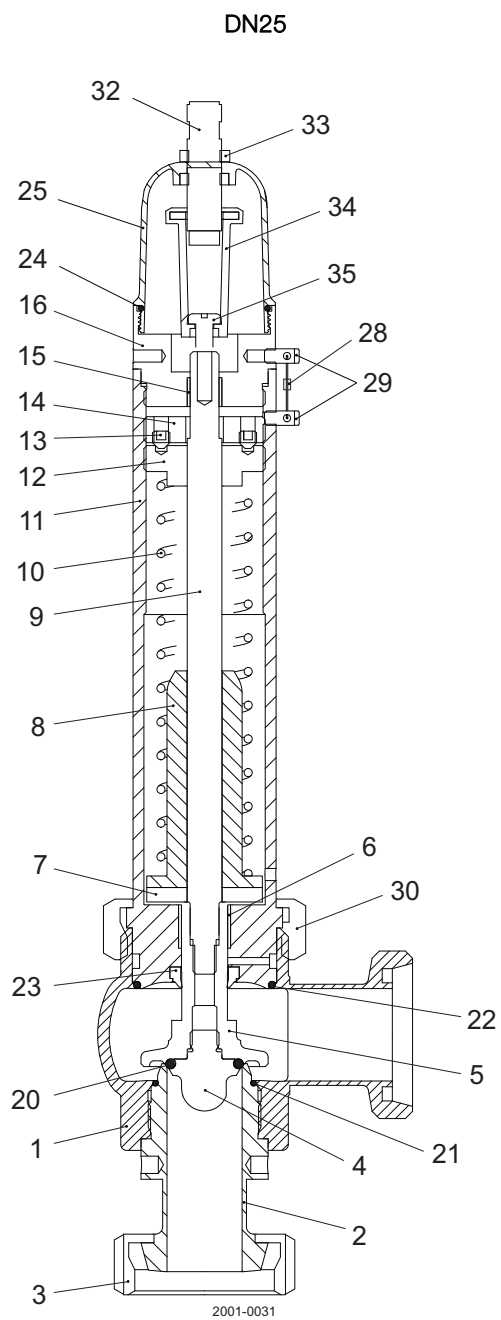
Standard, sizes DN25-DN100

Pos	Qty	Denomination	DN25	DN40-100
1	1	Body .....		
2	1	Screw-in socket .....		
3	1	Slotted nut .....		
4	1	Piston plate .....		
5	1	Piston .....		
6	1	Plain bearing .....		
7	1	Spring disc .....		
7.1	1	Distance ring .....		
8	1	Spring guide .....		
9	1	Piston rod .....		
10	1	Pressure spring .....		
11	1	Spring housing .....		
12	1	Setting disc .....		
13	2	Headless pin .....		
14	1	Locking disc .....		
15	1	Plain bearing .....		
16	1	Cover plate .....		
20 ▲	1	O-ring .....		
21 ▲	1	O-ring .....		
22 ▲	1	O-ring .....		
23 ▲	1	Shaft sealing .....		
24	1	O-ring .....		
25	1	Hood .....		
25.1	1	Hood incl. o-ring (pos. 24) .....	9615441401	9615441402
27	1	Screw plug - deaeration .....		
28	1	SealingSer .....		
29	2	Screw .....		
30	1	Slotted nut .....		
31	1	Clamp coupling .....		

Service kits

		DN25	DN40	DN50	DN65	DN80	DN100
▲	Service kit, EPDM .....	9614446901	9614446902	9614446903	9614446904	9614446905	9614446906

900-728

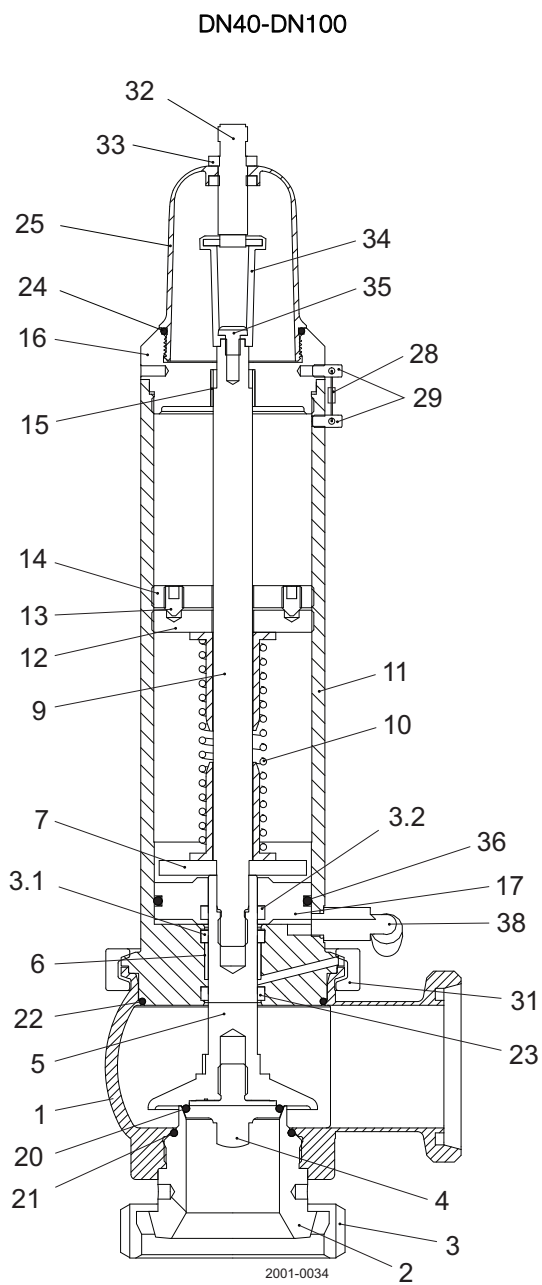
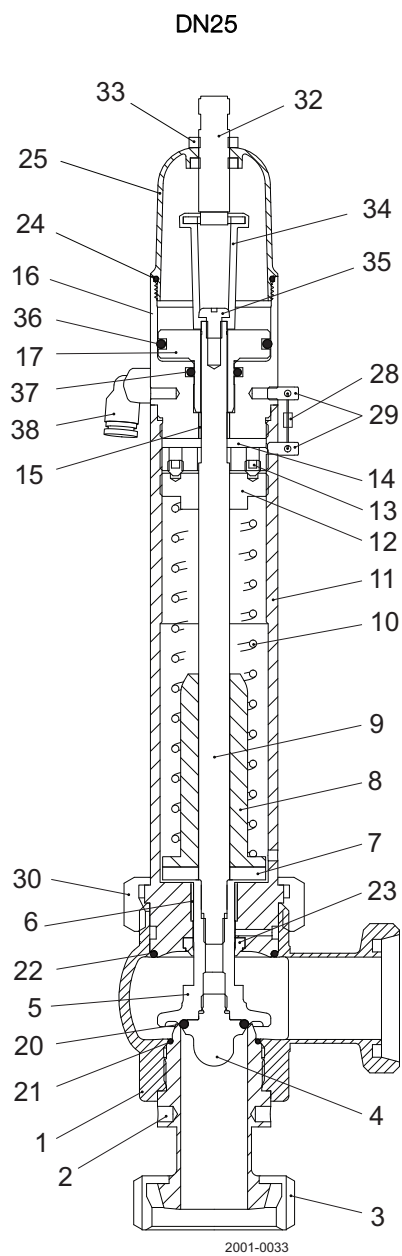


Standard with inductive sensor, sizes DN25-DN100

Pos	Qty	Denomination	DN25	DN40-100
1	1	Body .....		
2	1	Screw-in socket .....		
3	1	Slotted nut .....		
4	1	Piston plate .....		
5	1	Piston .....		
6	1	Plain bearing .....		
7	1	Spring disc .....		
7.1	1	Distance ring .....		
8	1	Spring guide .....		
9	1	Piston rod .....		
10	1	Pressure spring .....		
11	1	Spring housing .....		
12	1	Setting disc .....		
13	2	Headless pin .....		
14	1	Locking disc .....		
15	1	Plain bearing .....		
16	1	Cover plate .....		
20 ▲	1	O-ring .....		
21 ▲	1	O-ring .....		
22 ▲	1	O-ring .....		
23 ▲	1	Shaft sealing .....		
24	1	O-ring .....		
25	1	Hood .....		
25.1	1	Hood incl. o-ring (pos. 24) .....	9615441403	9615441404
27	1	Screw plug - deaeration .....		
28	1	Sealing .....		
29	2	Screw .....		
30	1	Slotted nut .....		
31	1	Clamp coupling .....		
32	1	Sensor .....		
33	1	Nut .....		
34	1	Bracket .....		
35	1	Screw .....		

Service kits

		DN25	DN40	DN50	DN65	DN80	DN100
▲	Service kit, EPDM .....	9614446901	9614446902	9614446903	9614446904	9614446905	9614446906



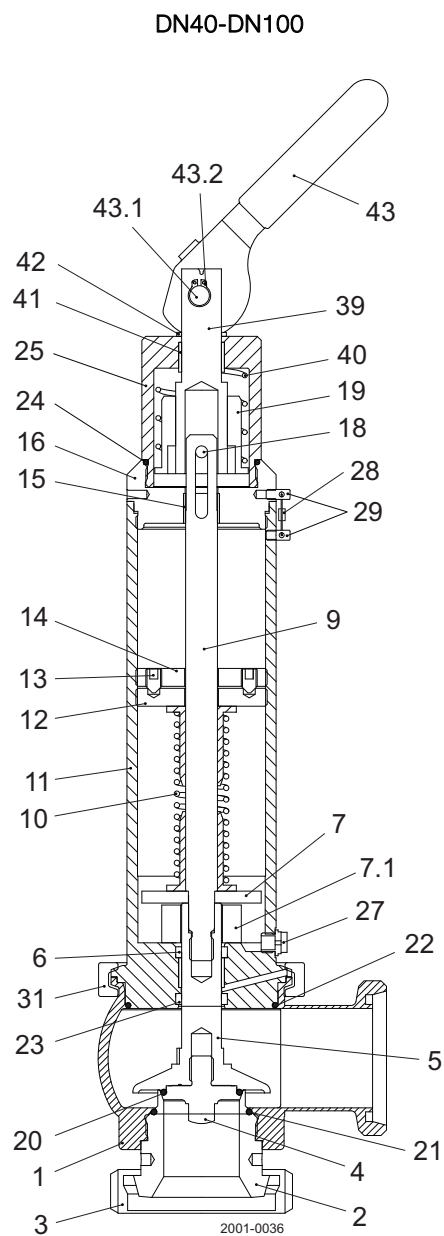
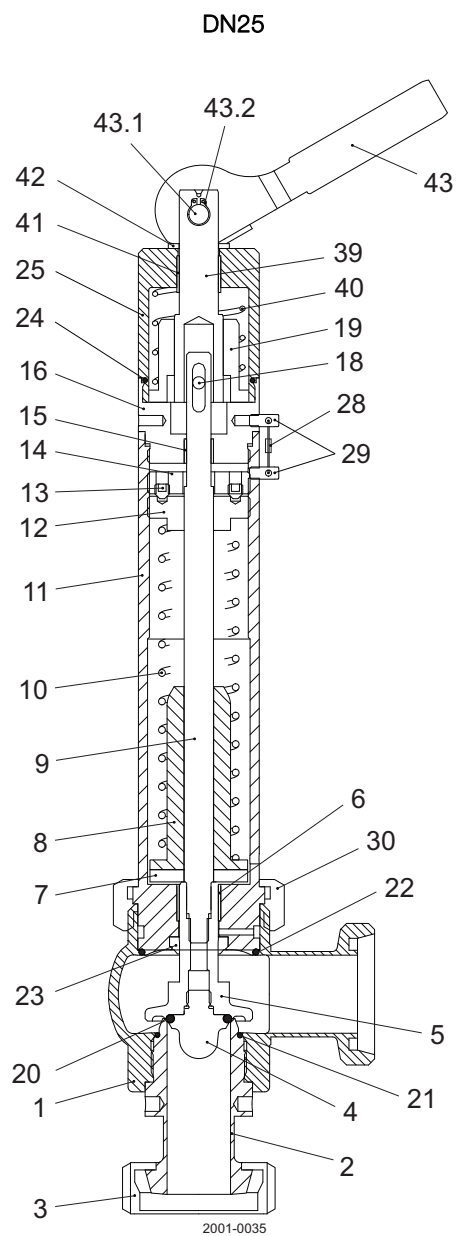


Pneumatic lifting with inductive sensor, sizes DN25-DN100

Pos	Qty	Denomination	DN25	DN40-100
1	1	Body .....		
2	1	Screw-in socket .....		
3	1	Slotted nut .....		
3.1	1	Sealing .....		
3.2	1	Sealing .....		
4	1	Piston plate .....		
5	1	Piston .....		
6	1	Plain bearing .....		
7	1	Spring disc .....		
8	1	Spring guide .....		
9	1	Piston rod .....		
10	1	Pressure spring .....		
11	1	Spring housing .....		
12	1	Setting disc .....		
13	2	Headless pin .....		
14	1	Locking disc .....		
15	1	Plain bearing .....		
16	1	Cover plate .....		
17	1	Piston .....		
20 ▲	1	O-ring .....		
21 ▲	1	O-ring .....		
22 ▲	1	O-ring .....		
23 ▲	1	Shaft sealing .....		
24	1	O-ring .....		
25	1	Hood .....		
25.1	1	Hood incl. o-ring (pos. 24) .....	9615441403	9615441404
28	1	Sealing .....		
29	2	Screw .....		
30	1	Slotted nut .....		
31	1	Clamp coupling .....		
32	1	Sensor .....		
33	1	Nut .....		
34	1	Bracket .....		
35	1	Screw .....		
36	1	O-ring .....		
37	1	O-ring .....		
38	1	Air connection .....		

Service kits

		DN25	DN40	DN50	DN65	DN80	DN100
▲	Service kit, EPDM .....	9614446901	9614446902	9614446903	9614446904	9614446905	9614446906



Pos	Qty	Denomination
1	1	Body .....
2	1	Screw-in socket .....
3	1	Slotted nut .....
4	1	Piston plate .....
5	1	Piston .....
6	1	Plain bearing .....
7	1	Spring disc .....
8	1	Spring guide .....
9	1	Piston rod .....
10	1	Pressure spring .....
11	1	Spring housing .....
12	1	Setting disc .....
13	2	Headless pin .....
14	1	Locking disc .....
15	1	Plain bearing .....
16	1	Cover plate .....
18	1	Pin .....
19	1	Spring guide .....
20 ▲	1	O-ring .....
21 ▲	1	O-ring .....
22 ▲	1	O-ring .....
23 ▲	1	Shaft sealing .....
24	1	O-ring .....
25	1	Hood .....
27	1	Screw plug - deaeration .....
28	1	Sealing .....
29	2	Screw .....
30	1	Slotted nut .....
31	1	Clamp coupling .....
39	1	Rod .....
40	1	Pressure spring .....
41	1	Bearing .....
42	1	Disc .....
43	1	Lever .....
43.1	1	Pin .....
43.2	1	Circlip .....

Service kits

		DN25	DN40	DN50	DN65	DN80	DN100
▲	Service kit, EPDM .....	9614446901	9614446902	9614446903	9614446904	9614446905	9614446906

**How to contact Alfa Laval**

Contact details for all countries are continually updated on our website.

Please visit [www.alfalaval.com](http://www.alfalaval.com) to access the information directly.

© Alfa Laval Corporate AB

This document and its contents is owned by Alfa Laval Corporate AB and protected by laws governing intellectual property and thereto related rights. It is the responsibility of the user of this document to comply with all applicable intellectual property laws. Without limiting any rights related to this document, no part of this document may be copied, reproduced or transmitted in any form or by any means (electronic, mechanical, photocopying, recording, or otherwise), or for any purpose, without the expressed permission of Alfa Laval Corporate AB. Alfa Laval Corporate AB will enforce its rights related to this document to the fullest extent of the law, including the seeking of criminal prosecution.